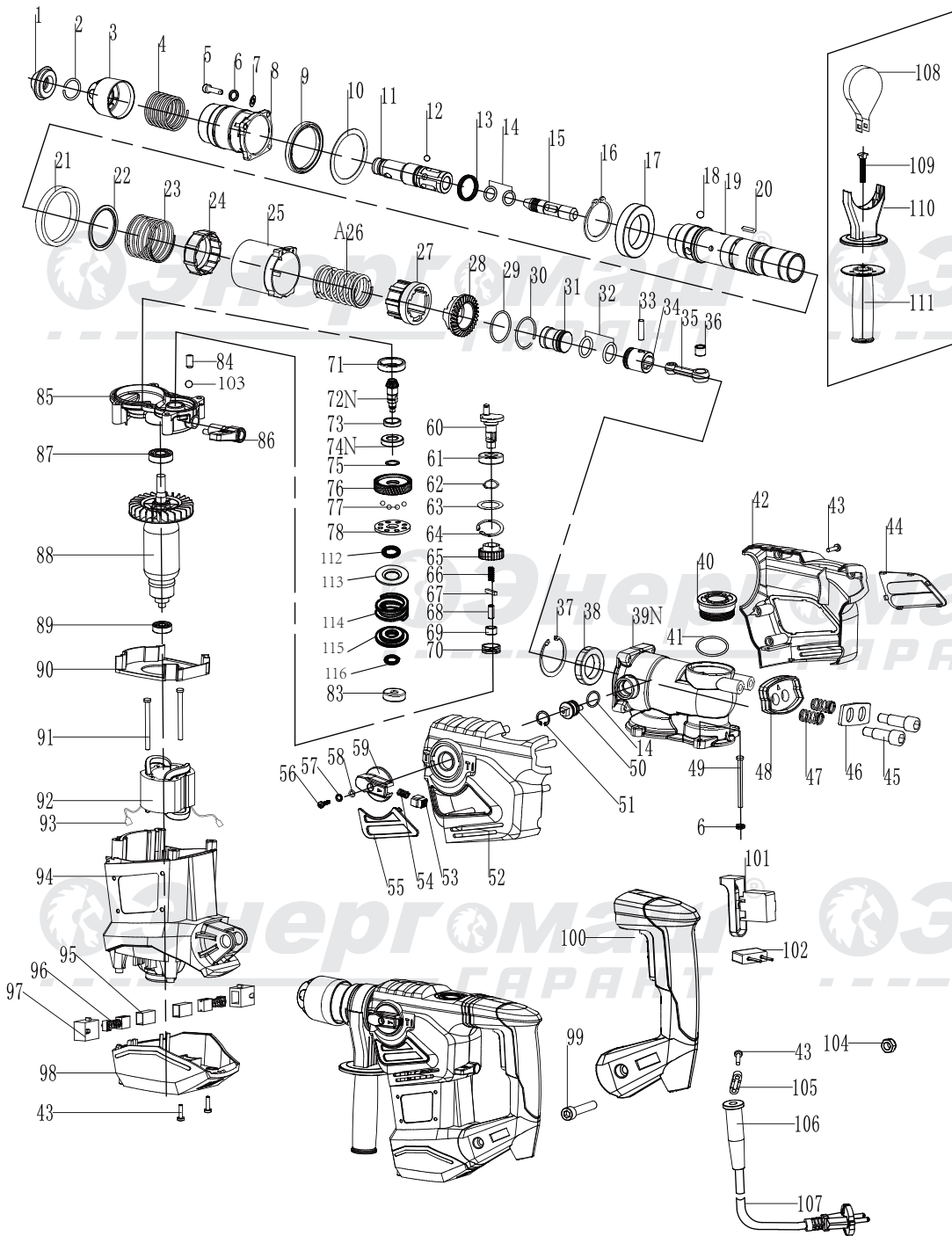


# ПР1-1850



NO.	DESCRIPTION	NO.	DESCRIPTION
1	RUBBER HEAD	57	SPRING WASHER 4
2	STEEL RING 16.5X2	58	PLAIN WASHER 4
3	STEEL FRAME	59	TWO FUNCTION KNOB
4	SPRING 30.2*1.8*76	60	CRANK
5	SCREW M5X22	61	BEARING 6003
6	SPRING WASHER	62	CIRCLIP 17
7	PLAIN WASHER	63	WASHER38*47*1.5
8	CYLINDER HOUSE	64	CIRCLIP 35
9	OIL SEAL 35*51*6	65	THE FIRST GEAR
10	BIG WASHER 45*54.5*1	66	SPRING
11	TELEFLEX	67	FLAT KEY 5*5*22
12	STEEL BALL Ø7.14	68	PIN Ø7*19
13	X-RING 20.9*2.2*4	69	BUSH 16*12*10
14	O-RING 11X2	70	STEEL SLEEVE 22*26*9
15	IMPACT HAMMER	71	SEAL RING 19*28*4.5
16	CIRCLIP 35	72N	GEAR SHAFT
17	BEARING 6907	73	WASHER15*19*4.7
18	STEEL BALL Ø7.94	74N	BEARING 16002
19	CYLINDER	75	WASHER 14.1*19*0.5
20	KEY 3*3*18	76	BIG GEAR
21	PLASTIC RING 47*55*7	77	STEEL BALL Ø5
22	WASHER 38*47*1.5	78	FIXED PLATE
23	SPRING 42*2*28	83	BEARING 627Z
24	PLASTIC SLEEVE	84	RUBBER COLUMN
25	CHISEL LOCK DISTANCE SLEEVE	85	MIDDLE COVER
26	SPRING 34*2.5*50	86	TWISTING FOR HAMMER
27	CLUTCH	87	BEARING 6001
28	BIG CONE GEAR	88	ROTOR
29	O-RING28*1.8	89	BEARING 608
30	STEEL RING 28*1.6	90	FAN GUIDE
31	RAMMER 25X30	91	TAPPING SCREW ST4.8X65
32	O-RING 19*3.1	92	STATOR
33	PISTON PIN 6*23	93	INSERT PIECE
34	PISTON 25*27	94	HOUSING
35	CONNECTION ROD	95	COPPER BRUSH HOLDER
36	STEEL SLEEVE 12*10*8	96	CARBON BRUSH
37	CIRCLIP 47	97	BRUSH HOLDER
38	BUSH 30*47*9	98	REAR COVER
39N	GEAR BOX	99	SCREW M8*40
40	OIL COVER	100	HANDLE
41	O-RING 31.5*2	101	SWITCH
42	RIGHT GEAR COVER	102	CAPACITOR
43	TAPPING SCREW ST3.9*16	103	STEEL BALL
44	RIGHT SIDE COVER	104	NUT M8
45	ANTI-VIBRATION SCREW M8X35	105	CABLE CLAMP
46	ANTI-VIBRATION BOARD	106	CABLE SLEEVE
47	ANTI-VIBRATION SPRIG	107	CABLE
48	ANTI-VIBRATION HOLDER	108	HOOP
49	TAPPING SCREW ST4.8*45	109	T-BOLE M8X50
50	DIAL TWIST	110	BRACKET
51	CIRCLIP 18	111	AUXILIARY HANDLE
52	LEFT GEAR BOX COVER	112	CIRCLIP 12.5X1
53	BUTTON PIN	113	DOWN CLUTCH BOARD
54	SPRING 0.6*4.5*17.5	114	CLUTCH BIG SPRING
55	LEFT SIDE COVER	115	SPRING SEAT
56	SCREW M4X14	116	CIRCLIP 8.5X1.2